

## GSTF82L Stainless Steel Draw Latch (With Safety Lock)

### Features

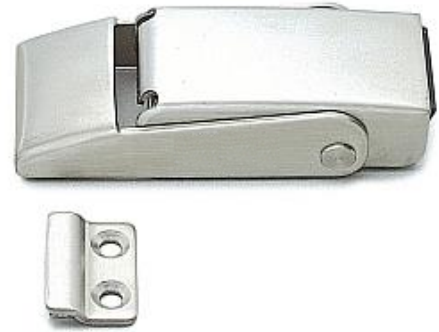
- With safety lock to prevent accidental release

### Notes

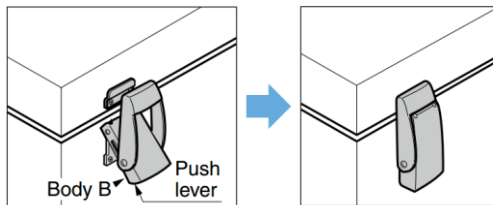
- Gap occurs between mounting plate and strike in the installation determined by the specified dimensions. To eliminate the gap, please provide cushion material as shown in Fig.1 between mounting plate ⑥ side and strike ⑦ side of the cabinet

### Recommended Screws

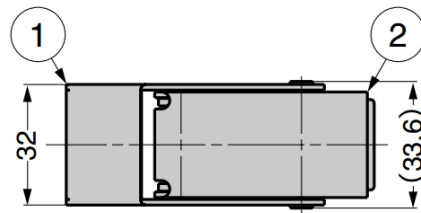
- M4 countersunk head screw



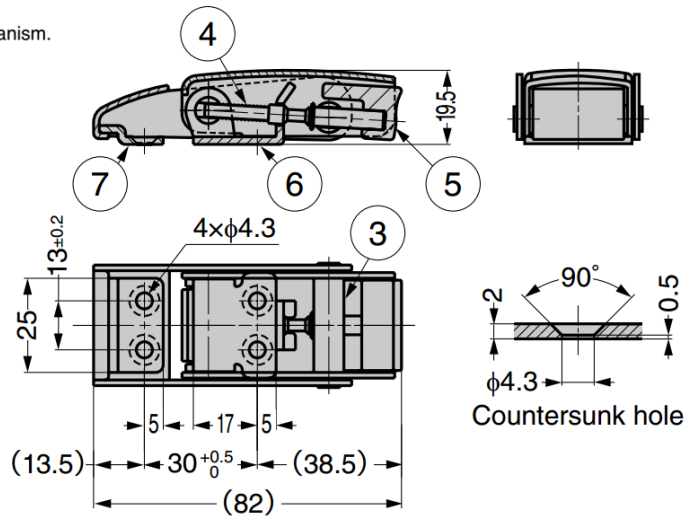
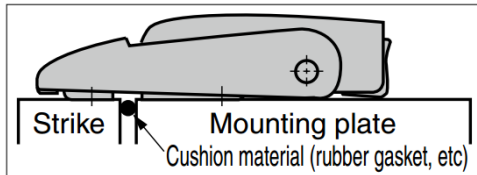
### How to Operate



1. Releasing: push the lever while lifting the body B.
2. Locking: Just push down the the body B to lock by the latch mechanism.



### Installation on Cabinet (Fig. 1)



No.	Part Name	Material	Finish / Colour
①	Body A	Stainless Steel (SUS304)	Satin finish
②	Body B		
③	Shaft	Stainless Steel (SUS303)	-
④	Spring	Stainless Steel (SUS304)	-
⑤	Push lever	Nitrile Rubber (NBR)	Black
⑥	Mounting Plate	Stainless Steel (SUS304)	Barrel Polished
⑦	Strike		Satin finish

Part No.	Load Capacity	
GSTF82L	784 N	80 kg